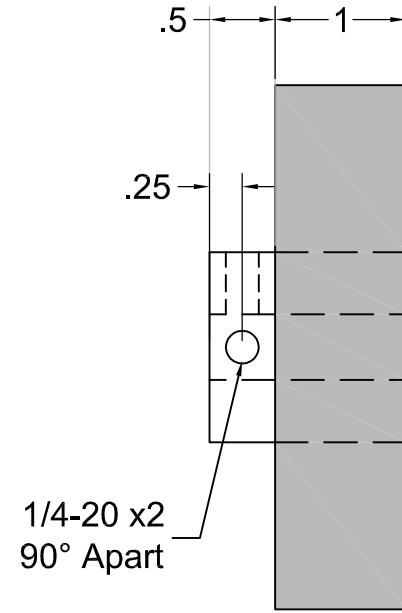
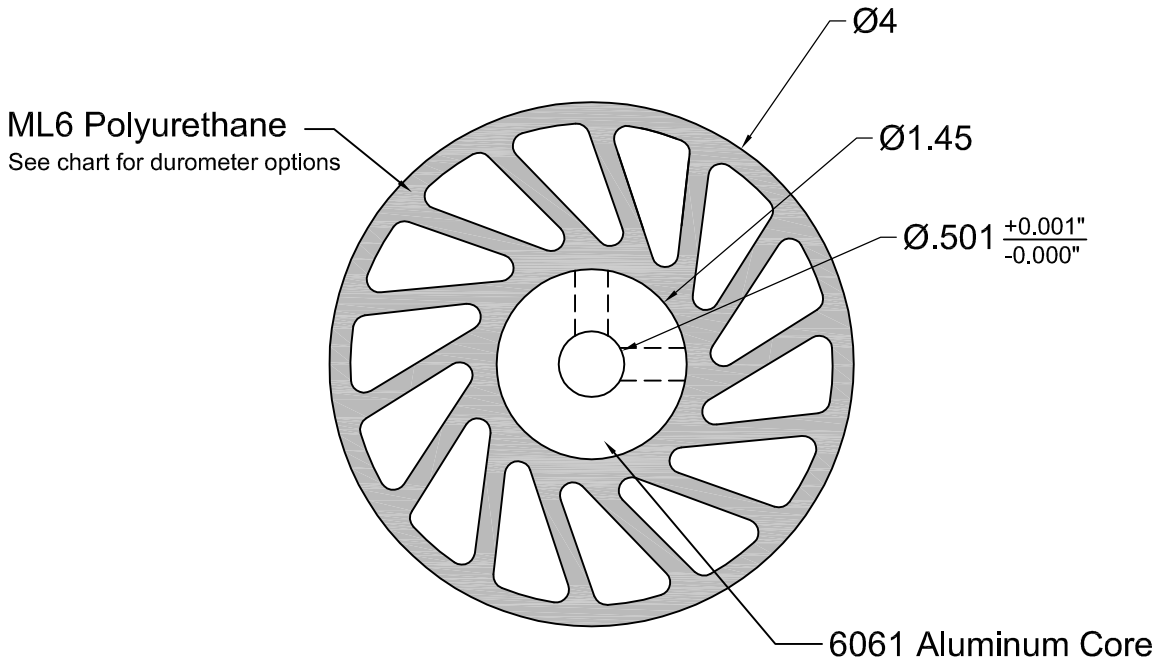


REVISIONS			
LTR	DESCRIPTION	DATE	APPROVED



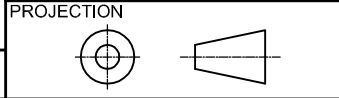
Durometer Options	
Replace XXX in Part Number with 3 letter durometer code from options below.	
40A = 40 SHORE A	80A = 80 SHORE A
55A = 55 SHORE A	90A = 90 SHORE A
70A = 70 SHORE A	



**MERIDIAN
LABORATORY**

2415 Pleasant View Rd. Middleton, WI 53562
(608) 836-7571 MeridianLab.com

UNLESS OTHERWISE SPECIFIED,
DIMENSIONS ARE IN INCHES AND
TOLERANCES ARE:
FRACTIONS DECIMALS ANGLES
 $\pm 1/16$.X $\pm .1$ $\pm 1/2^\circ$
.XX $\pm .01$
.XXX $\pm .005$



APPROVALS	DATE
DRAWN AG	2/8/23
CHECKED VRN	2/23/23
APPROVED	

TITLE	4.0" x 1.0" ML6 NO-CRUSH WHEEL		
PART NO.	NCW-350-XXX		
MATERIAL	6061 AL & ML6 PU OVERMOLD		
SCALE	3:2	REV.	-
SHEET	1 of 1	ML6 CUST. BLOCK	

This drawing is proprietary to Meridian Laboratory Inc. and may not be copied, disclosed, or distributed without explicit written permission. Design subject to change without notice.