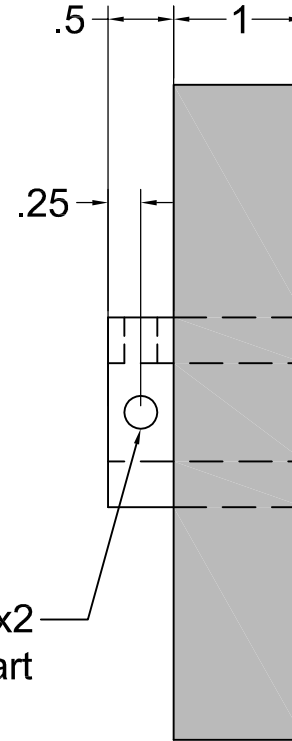
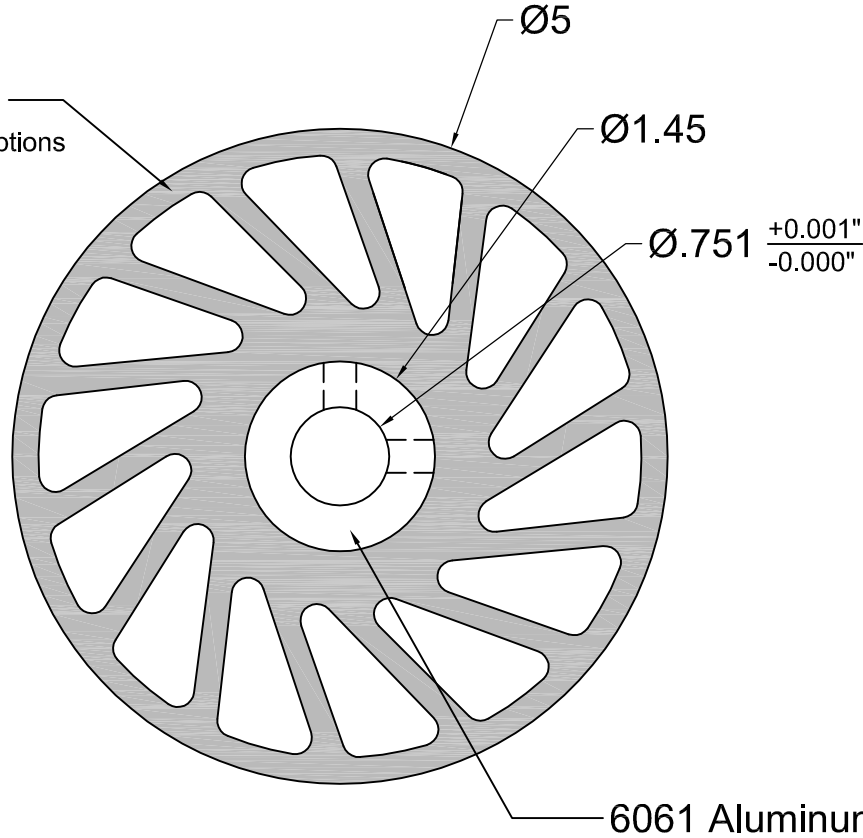


| REVISIONS | | | |
|-----------|-------------|------|----------|
| LTR | DESCRIPTION | DATE | APPROVED |
| | | | |

ML6 Polyurethane
See chart for durometer options



1/4-20 x2
90° Apart

Durometer Options

Replace **XXX** in Part Number with 3 letter durometer code from options below.

| | |
|-------------------------|-------------------------|
| 40A = 40 SHORE A | 80A = 80 SHORE A |
| 55A = 55 SHORE A | 90A = 90 SHORE A |
| 70A = 70 SHORE A | |



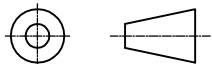
**MERIDIAN
LABORATORY**

2415 Pleasant View Rd. Middleton, WI 53562
(608) 836-7571 MeridianLab.com

UNLESS OTHERWISE SPECIFIED,
DIMENSIONS ARE IN INCHES AND
TOLERANCES ARE:

| FRACTIONS | DECIMALS | ANGLES |
|-----------|-------------|--------|
| ±1/16 | .X ± .1 | ±1/2° |
| | .XX ± .01 | |
| | .XXX ± .005 | |

PROJECTION



APPROVALS

DATE

TITLE

5.0" x 1.0" ML6 NO-CRUSH WHEEL

DRAWN

AG

2/8/23

PART NO.

NCW-470-XXX

CHECKED

VRN

2/23/23

MATERIAL

6061 AL & ML6 PU OVERMOLD

APPROVED

SCALE 3:2

REV. -

SHEET 1 of 1

ML6 CUST. BLOCK

This drawing is proprietary to Meridian Laboratory Inc. and may not be copied, disclosed, or distributed without explicit written permission. Design subject to change without notice.