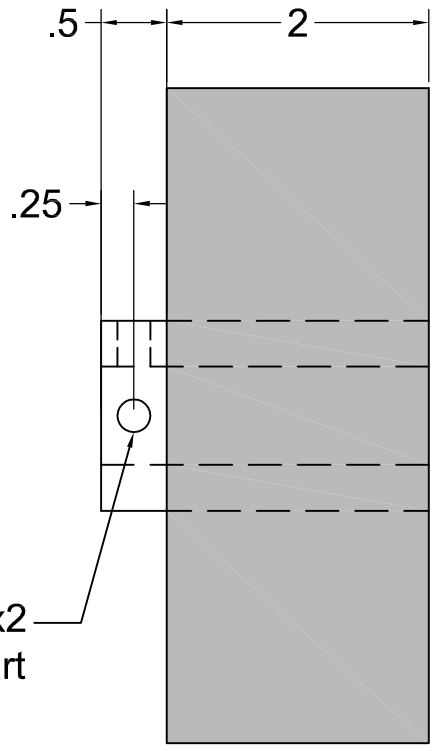
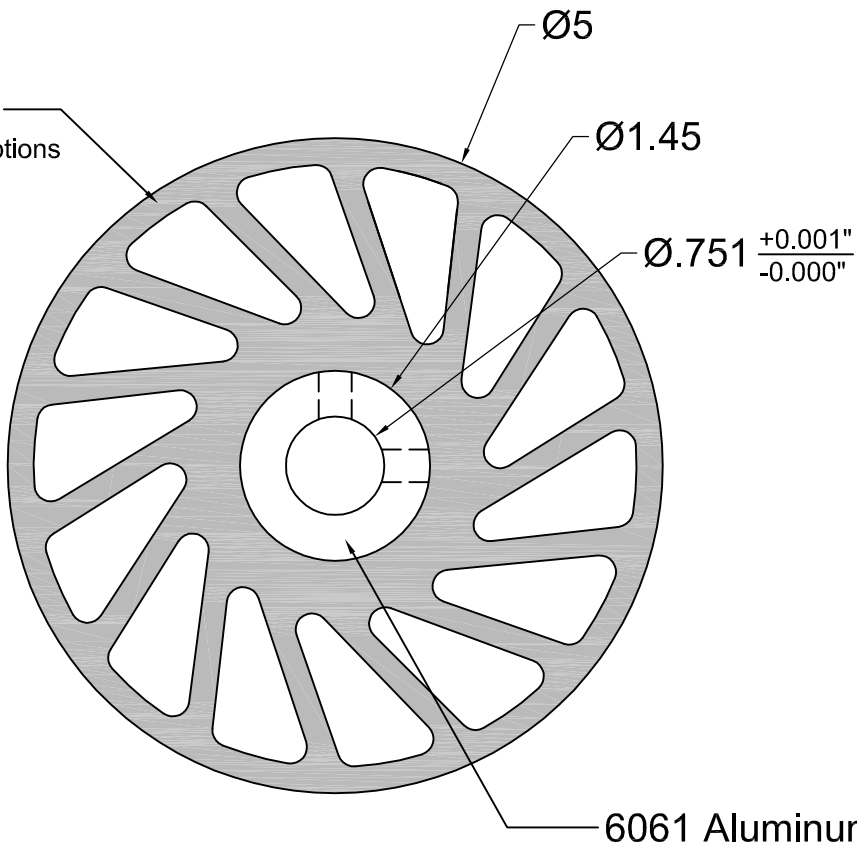


| REVISIONS | | | |
|-----------|-------------|------|----------|
| LTR | DESCRIPTION | DATE | APPROVED |
| | | | |

ML6 Polyurethane
See chart for durometer options



1/4-20 x2
90° Apart

6061 Aluminum Core

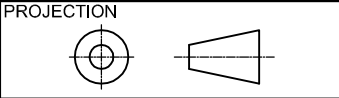
| Durometer Options | |
|------------------------------------------------------------------------------------|-------------------------|
| Replace XXX in Part Number with 3 letter durometer code from options below. | |
| 40A = 40 SHORE A | 80A = 80 SHORE A |
| 55A = 55 SHORE A | 90A = 90 SHORE A |
| 70A = 70 SHORE A | |



**MERIDIAN
LABORATORY**

2415 Pleasant View Rd. Middleton, WI 53562
(608) 836-7571 MeridianLab.com

UNLESS OTHERWISE SPECIFIED,
DIMENSIONS ARE IN INCHES AND
TOLERANCES ARE:
FRACTIONS DECIMALS ANGLES
±1/16 .X ±.1 ±1/2°
.XX ±.01
.XXX ±.005



| | |
|-----------------------|----------------|
| APPROVALS | DATE |
| DRAWN AG | 2/8/23 |
| CHECKED VRN | 2/23/23 |
| APPROVED | |

| | | | |
|----------|---------------------------------------|-----------------|----------|
| TITLE | 5.0" x 2.0" ML6 NO-CRUSH WHEEL | | |
| PART NO. | NCW-520-XXX | | |
| MATERIAL | 6061 AL & ML6 PU OVERMOLD | | |
| SCALE | 3:2 | REV. | - |
| SHEET | 1 of 1 | ML6 CUST. BLOCK | |

This drawing is proprietary to Meridian Laboratory Inc. and may not be copied, disclosed, or distributed without explicit written permission. Design subject to change without notice.