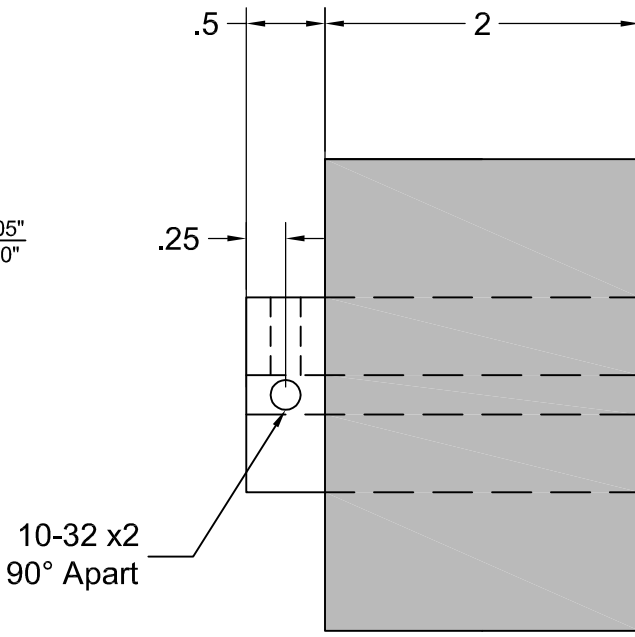
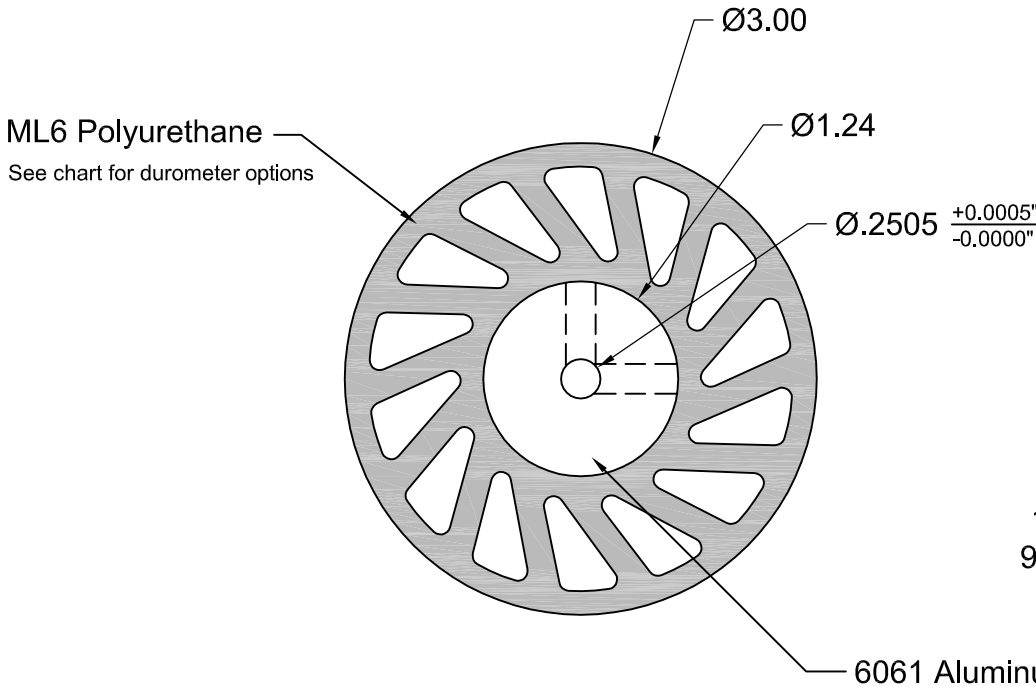


REVISIONS			
LTR	DESCRIPTION	DATE	APPROVED



Durometer Options	
Replace XXX in Part Number with 3 letter durometer code from options below.	
40A = 40 SHORE A	80A = 80 SHORE A
55A = 55 SHORE A	90A = 90 SHORE A
70A = 70 SHORE A	

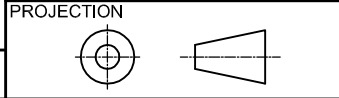


**MERIDIAN
LABORATORY**

2415 Pleasant View Rd. Middleton, WI 53562
(608) 836-7571 MeridianLab.com

UNLESS OTHERWISE SPECIFIED,
DIMENSIONS ARE IN INCHES AND
TOLERANCES ARE:

<u>FRACTIONS</u>	<u>DECIMALS</u>	<u>ANGLES</u>
±1/16	.X ± .1	±1/2°
	.XX ± .01	
	.XXX ± .005	



APPROVALS	DATE
DRAWN AG	2/8/23
CHECKED VRN	2/23/23
APPROVED	

TITLE 3.0" x 2.0" ML6 NO-CRUSH WHEEL			
PART NO. NCW-690-XXX			
MATERIAL 6061 AL & ML6 PU OVERMOLD			
SCALE N/A	REV. -	SHEET 1 of 1	ML6 CUST. BLOCK

This drawing is proprietary to Meridian Laboratory Inc. and may not be copied, disclosed, or distributed without explicit written permission. Design subject to change without notice.