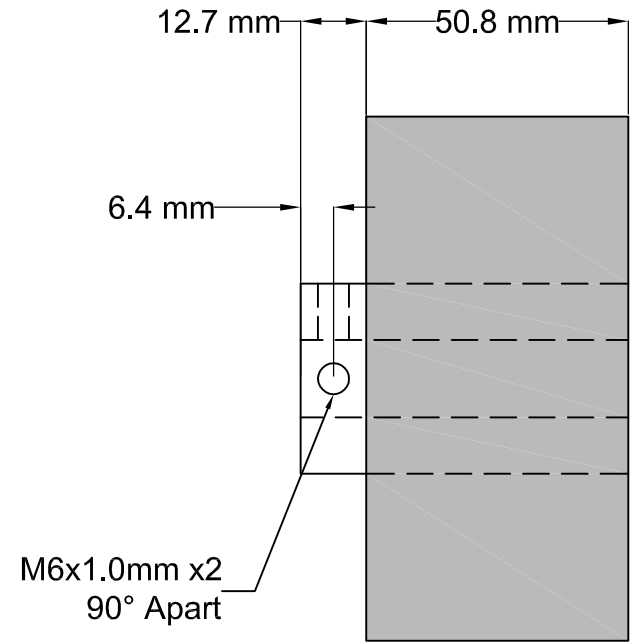
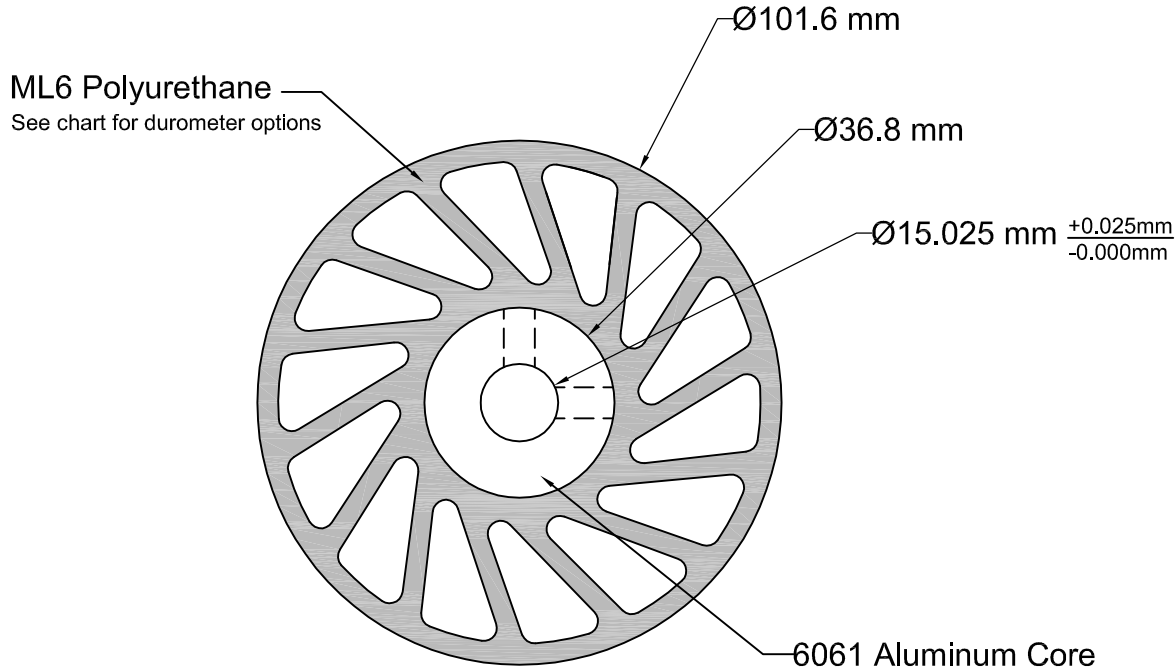


REVISIONS			
LTR	DESCRIPTION	DATE	APPROVED



<b>Durometer Options</b>	
Replace <b>XXX</b> in Part Number with 3 letter durometer code from options below.	
<b>40A</b> = 40 SHORE A	<b>80A</b> = 80 SHORE A
<b>55A</b> = 55 SHORE A	<b>90A</b> = 90 SHORE A
<b>70A</b> = 70 SHORE A	



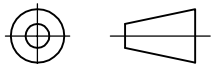
**MERIDIAN  
LABORATORY**

2415 Pleasant View Rd. Middleton, WI 53562  
(608) 836-7571 MeridianLab.com

UNLESS OTHERWISE SPECIFIED,  
DIMENSIONS ARE IN INCHES AND  
TOLERANCES ARE:

FRACTIONS	DECIMALS	ANGLES
±1/16	.X ±.1	±1/2°
	.XX ±.01	
	.XXX ±.005	

PROJECTION



APPROVALS	DATE
DRAWN <b>AG</b>	<b>2/8/23</b>
CHECKED <b>VRN</b>	<b>2/23/23</b>
APPROVED	

TITLE <b>101.6mm x 50.8mm ML6 NO-CRUSH WHEEL</b>			
PART NO. <b>NCWM-410-XXX</b>			
MATERIAL <b>6061 AL &amp; ML6 PU OVERMOLD</b>			
SCALE <b>3:2</b>	REV. <b>-</b>	SHEET <b>1 of 1</b>	ML6 CUST. BLOCK

This drawing is proprietary to Meridian Laboratory Inc. and may not be copied, disclosed, or distributed without explicit written permission. Design subject to change without notice.