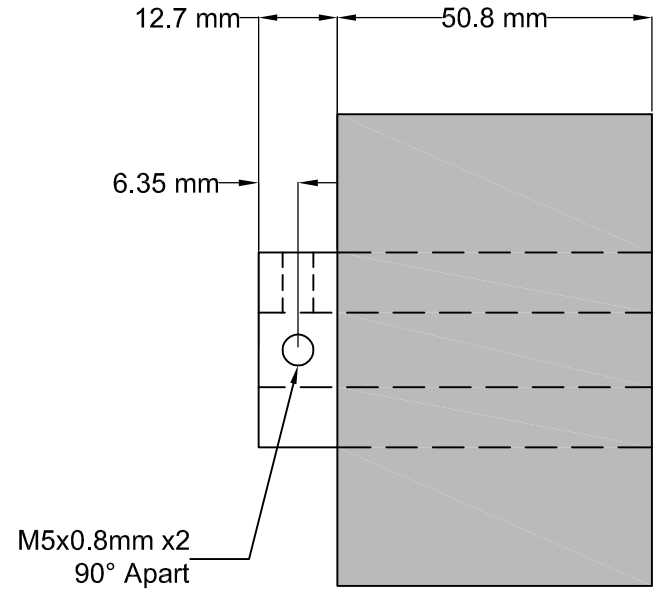
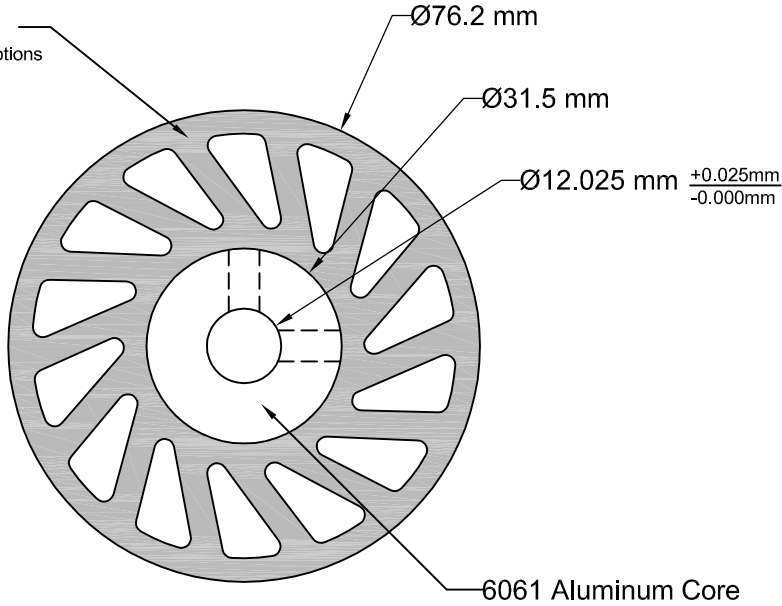


| REVISIONS | | | |
|-----------|-------------|------|----------|
| LTR | DESCRIPTION | DATE | APPROVED |
| | | | |

ML6 Polyurethane
See chart for durometer options



| Durometer Options | |
|--|-------------------------|
| Replace XXX in Part Number with 3 letter durometer code from options below. | |
| 40A = 40 SHORE A | 80A = 80 SHORE A |
| 55A = 55 SHORE A | 90A = 90 SHORE A |
| 70A = 70 SHORE A | |



**MERIDIAN
LABORATORY**

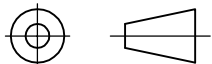
2415 Pleasant View Rd. Middleton, WI 53562
(608) 836-7571 MeridianLab.com

This drawing is proprietary to Meridian Laboratory Inc. and may not be copied, disclosed, or distributed without explicit written permission. Design subject to change without notice.

UNLESS OTHERWISE SPECIFIED,
DIMENSIONS ARE IN INCHES AND
TOLERANCES ARE:

| FRACTIONS | DECIMALS | ANGLES |
|-----------|------------|--------|
| ±1/16 | .X ±.1 | ±1/2° |
| | .XX ±.01 | |
| | .XXX ±.005 | |

PROJECTION



APPROVALS

DATE

TITLE

76.2mm x 50.8mm ML6 NO-CRUSH WHEEL

DRAWN

AG

2/8/23

PART NO.

NCWM-690-XXX

CHECKED

VRN

2/23/23

MATERIAL

6061 AL & ML6 PU OVERMOLD

APPROVED

SCALE N/A

REV. -

SHEET 1 of 1

ML6 CUST. BLOCK