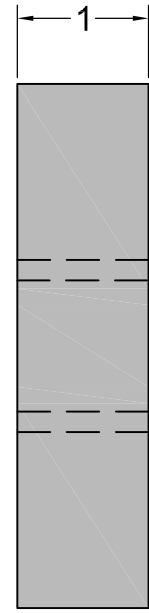
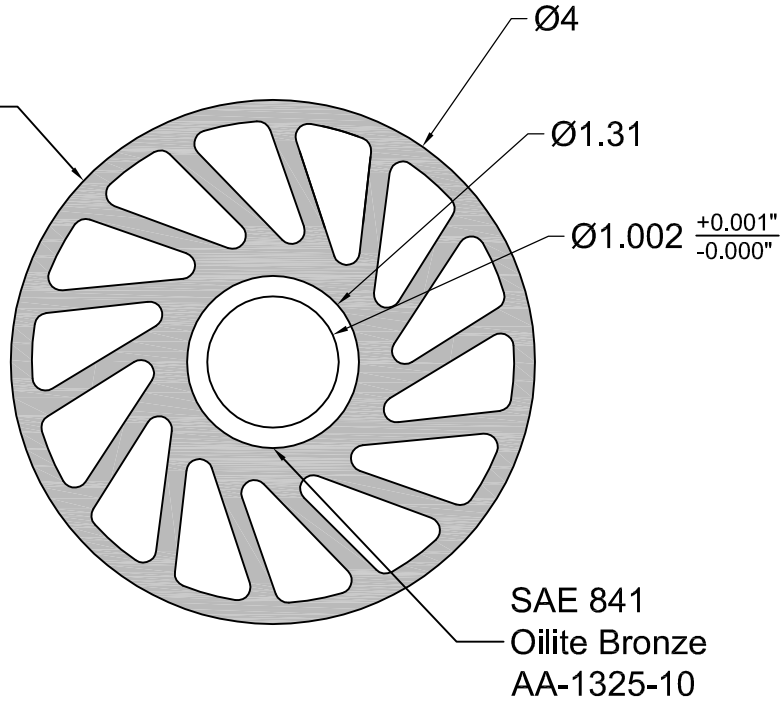


REVISIONS			
LTR	DESCRIPTION	DATE	APPROVED

ML6 Polyurethane
See chart for durometer options



Durometer Options	
Replace XXX in Part Number with 3 letter durometer code from options below.	
40A = 40 SHORE A	80A = 80 SHORE A
55A = 55 SHORE A	90A = 90 SHORE A
70A = 70 SHORE A	



**MERIDIAN
LABORATORY**

2415 Pleasant View Rd. Middleton, WI 53562
(608) 836-7571 MeridianLab.com

This drawing is proprietary to Meridian Laboratory Inc. and may not be copied, disclosed, or distributed without explicit written permission. Design subject to change without notice.

UNLESS OTHERWISE SPECIFIED, DIMENSIONS ARE IN INCHES AND TOLERANCES ARE:		
FRACTIONS $\pm 1/16$	DECIMALS .X $\pm .1$.XX $\pm .01$.XXX $\pm .005$	ANGLES $\pm 1/2^\circ$
PROJECTION 		

APPROVALS	DATE
DRAWN AG	5/17/23
CHECKED VRN	5/17/23
APPROVED	

TITLE 4.0" x 1.0" ML6 NO-CRUSH WHEEL
PART NO. NCWOB-380-XXX
MATERIAL SAE 841 OILITE BRONZE & ML6 PU OVERMOLD
SCALE 3:2 REV. - SHEET 1 of 1 ML6 CUST. BLOCK