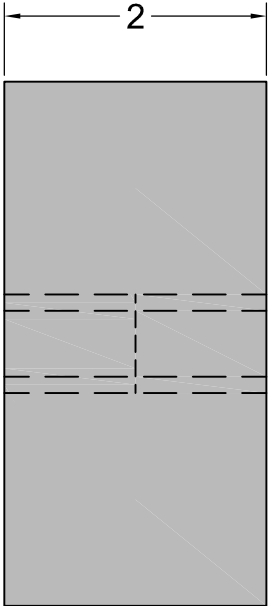
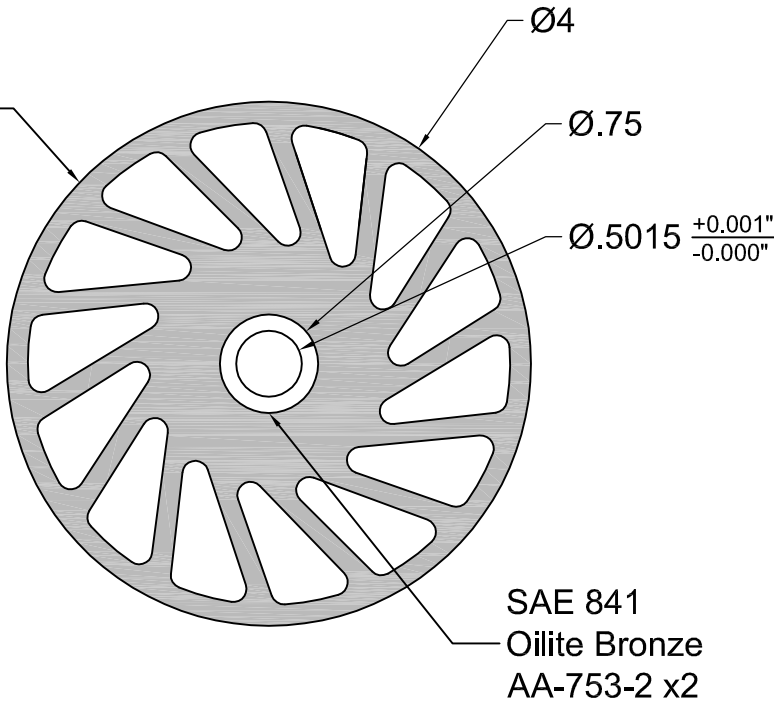


| REVISIONS | | | |
|-----------|-------------|------|----------|
| LTR | DESCRIPTION | DATE | APPROVED |
| | | | |

ML6 Polyurethane
See chart for durometer options



| Durometer Options | |
|--|-------------------------|
| Replace XXX in Part Number with 3 letter durometer code from options below. | |
| 40A = 40 SHORE A | 80A = 80 SHORE A |
| 55A = 55 SHORE A | 90A = 90 SHORE A |
| 70A = 70 SHORE A | |



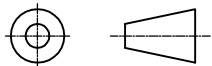
**MERIDIAN
LABORATORY**

2415 Pleasant View Rd. Middleton, WI 53562
(608) 836-7571 MeridianLab.com

UNLESS OTHERWISE SPECIFIED,
DIMENSIONS ARE IN INCHES AND
TOLERANCES ARE:

| FRACTIONS | DECIMALS | ANGLES |
|-----------|-------------|--------|
| ±1/16 | .X ± .1 | ±1/2° |
| | .XX ± .01 | |
| | .XXX ± .005 | |

PROJECTION



| APPROVALS | DATE |
|-----------------------|---------|
| DRAWN AG | 5/17/23 |
| CHECKED VRN | 5/17/23 |
| APPROVED | |

| TITLE | | | |
|---|------|--------|-----------------|
| 4.0" x 2.0" ML6 NO-CRUSH WHEEL | | | |
| PART NO. | | | |
| NCWOB-400-XXX | | | |
| MATERIAL | | | |
| SAE 841 OILITE BRONZE & ML6 PU OVERMOLD | | | |
| SCALE | REV. | SHEET | BLOCK |
| 3:2 | - | 1 of 1 | ML6 CUST. BLOCK |

This drawing is proprietary to Meridian Laboratory Inc. and may not be copied, disclosed, or distributed without explicit written permission. Design subject to change without notice.