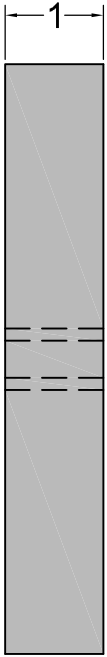
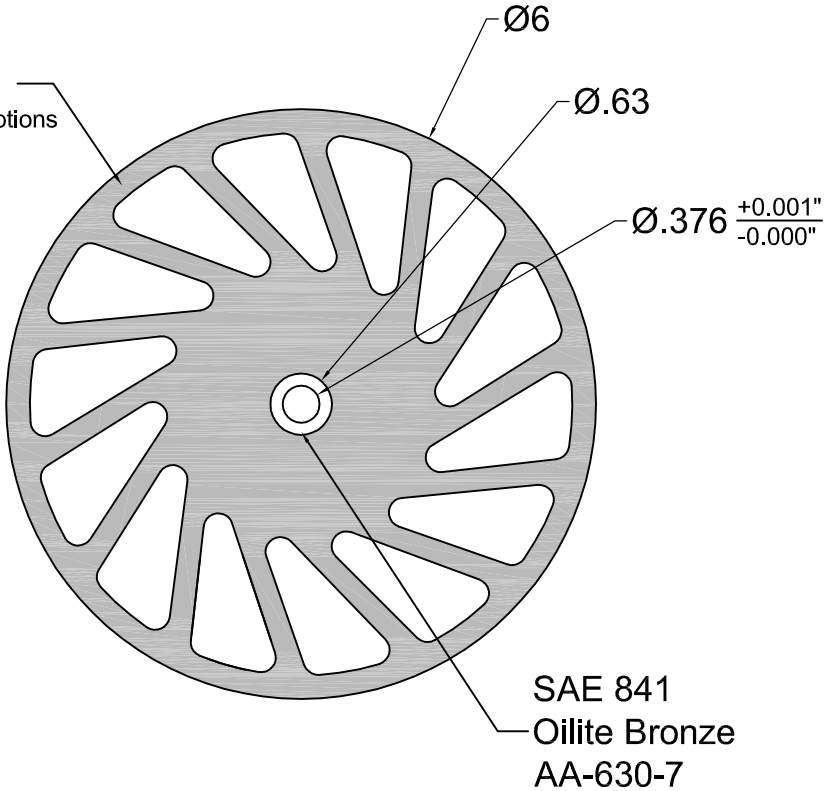


REVISIONS			
LTR	DESCRIPTION	DATE	APPROVED

ML6 Polyurethane  
See chart for durometer options



SAE 841  
Oillite Bronze  
AA-630-7

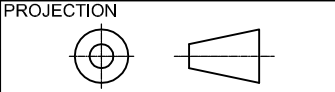
Durometer Options	
Replace <b>XXX</b> in Part Number with 3 letter durometer code from options below.	
<b>40A</b> = 40 SHORE A	<b>80A</b> = 80 SHORE A
<b>55A</b> = 55 SHORE A	<b>90A</b> = 90 SHORE A
<b>70A</b> = 70 SHORE A	



**MERIDIAN  
LABORATORY**

2415 Pleasant View Rd. Middleton, WI 53562  
(608) 836-7571 MeridianLab.com

UNLESS OTHERWISE SPECIFIED,  
DIMENSIONS ARE IN INCHES AND  
TOLERANCES ARE:  
FRACTIONS    DECIMALS    ANGLES  
±1/16        .X ± .1            ±1/2°  
                  .XX ± .01  
                  .XXX ± .005



APPROVALS	DATE
DRAWN <b>AG</b>	<b>5/25/23</b>
CHECKED <b>VRN</b>	<b>5/25/23</b>
APPROVED	

TITLE <b>6.0" x 1.0" ML6 NO-CRUSH WHEEL</b>			
PART NO. <b>NCWOB-540-XXX</b>			
MATERIAL SAE 814 OILITE BRONZE & ML6 PU OVERMOLD			
SCALE <b>2:1</b>	REV. -	SHEET <b>1 of 1</b>	ML6 CUST. BLOCK

This drawing is proprietary to Meridian Laboratory Inc. and may not be copied, disclosed, or distributed without explicit written permission. Design subject to change without notice.